

Minuteman[®] ***PowerBoss***[®]

PARTS MANUAL 3880 Sweeper Scrubber™



Minuteman PowerBoss, Inc.
175 Anderson Street
Aberdeen, North Carolina USA 28315
(910) 944-2105 / FAX (910) 944-7409

**Supplement 1a
to the 3800 SS**

Minuteman[®]

PowerBoss[®]

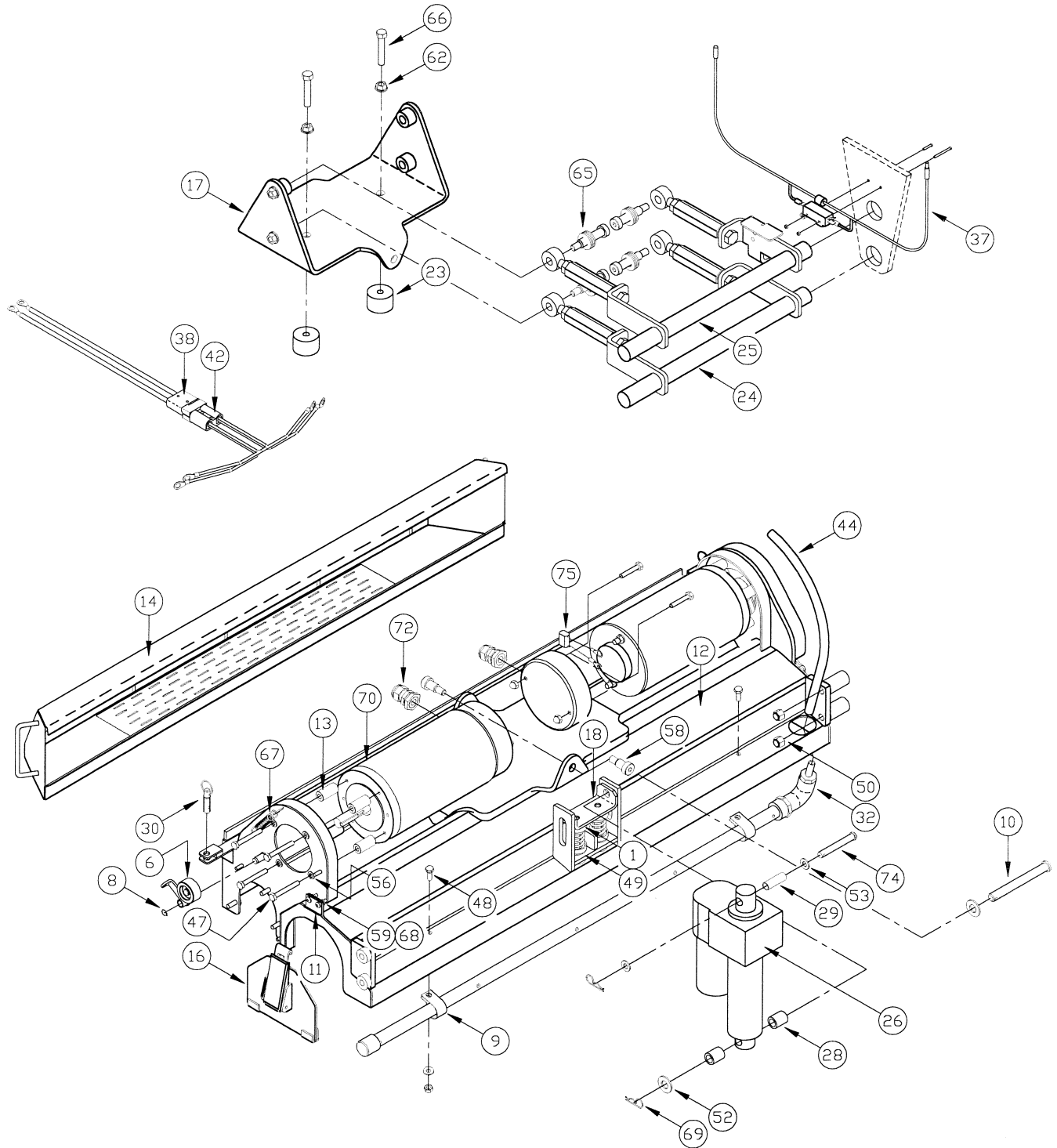
PARTS MANUAL

3880 Sweeper Scrubber[™]

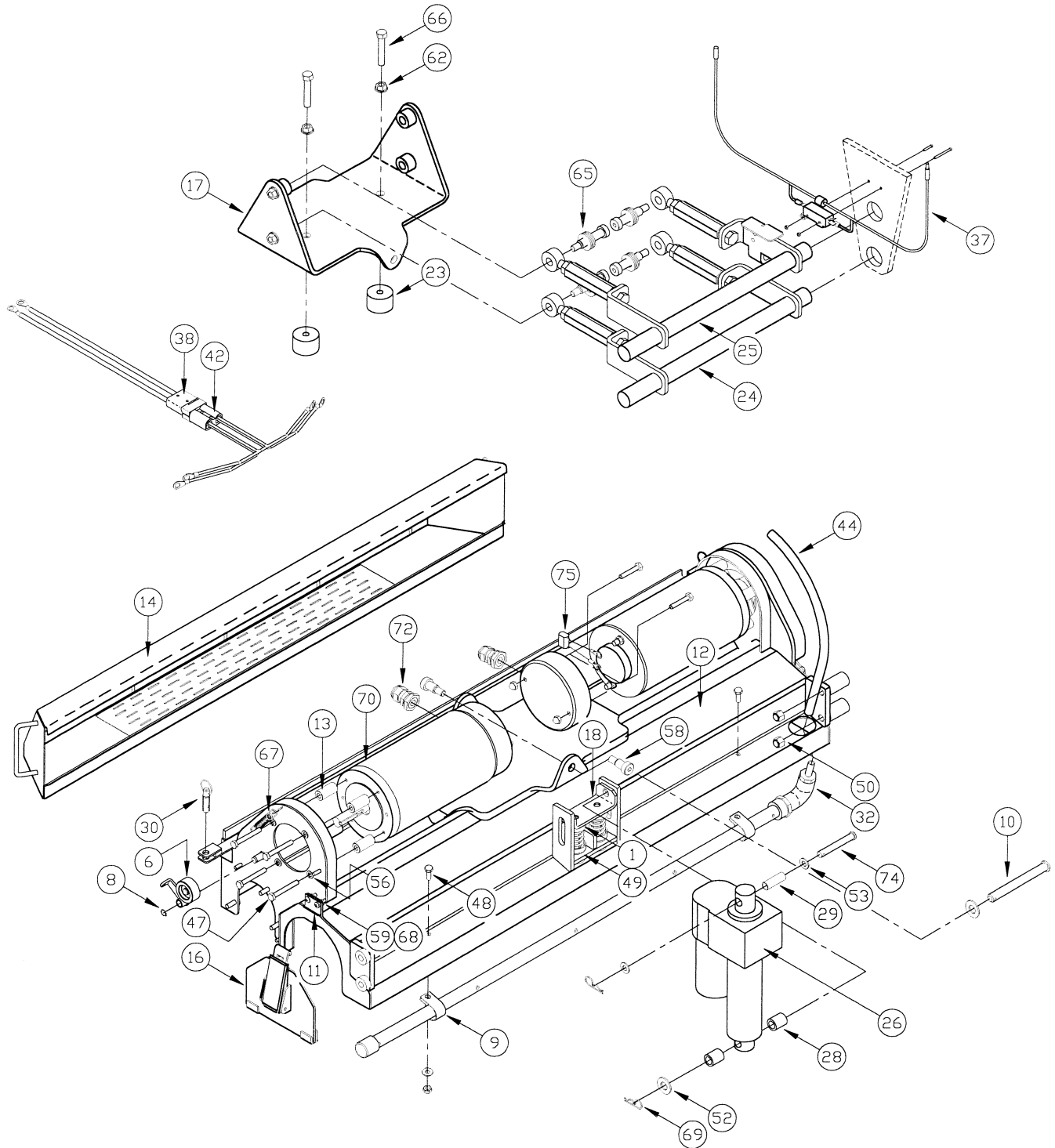


Minuteman PowerBoss, Inc.
175 Anderson Street
Aberdeen, North Carolina USA 28315
(910) 944-2105 / FAX (910) 944-7409

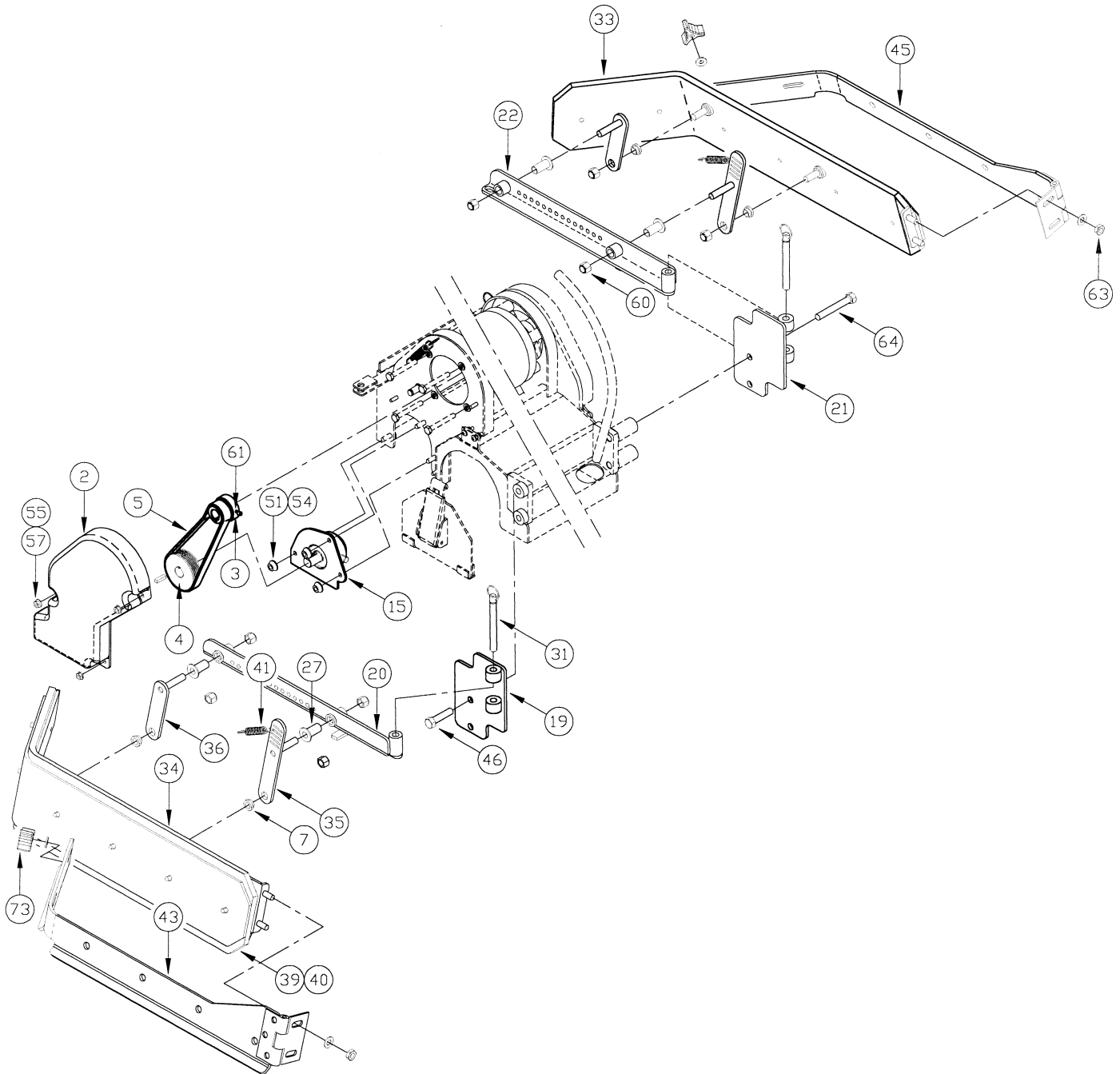
Supplement 1a
to the 3800 SS

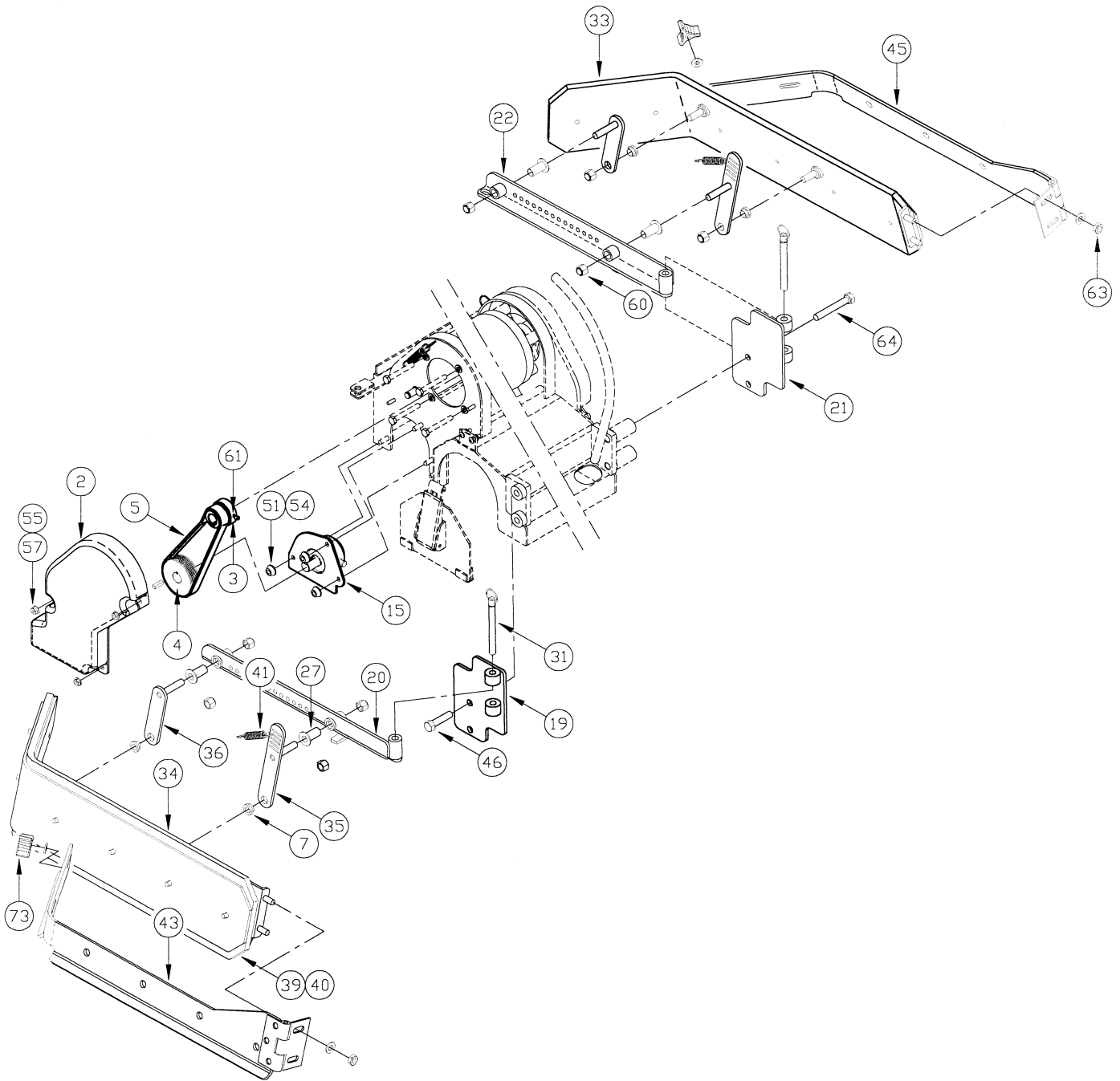


REF #	PART #	DESCRIPTION	REMARKS	QTY.
1	260137	COMPRESSION SPRING		2
2	281023	BELT COVER CYLINDRICAL SCRUBDE		2
3	281036	OFFSET PULLEY POLY V		2
4	281037	DRIVEN PULLEY		2
5	281053	J BELT (POLY V) 18"		2
6	281543	IDLER ASSY		2
7	3300414	BUSHING-PLASTIC MN BRM		4
8	3300548	RING-RET EXT .38		2
9	3301158	CLAMP-CABLE 3/4		2
10	3307794	PIN-CLEVIS 1/2 X 4-1/2 ZP		1
11	3308241	KEEPER-LATCH (308240)		2
12	3333021	WELDMENT-CYL SCRUBDECK		1
13	3333049	MOTOR STANDOFF- 38" SCRUBDECK		8
14	3333050	WELD DEBRIS BOX CYL SCRUB		1
15	3333058	ASSY-BRUSH DRIVE HUB		2
16	3333071	IDLE SHAFT ASSY CYL SCRUBDECK		2
17	3333074	WELD FLOATING DECK MNT		1
18	3333077	WELD SPRING HOUSING		1
19	3333080	WELD SQUEEGEE ARM MNT RH		1
20	3333084	WELD SQUEEGEE ARM RH		1
21	3333086	WELD SQUEEGEE ARM MNT LH		1
22	3333088	WELD SQUEEGEE ARM LH		1
23	3333089	BUMPER-1-1/2 X 1		2
24	3333094	ASSY ACTUATOR LINKAGE		1
25	3333103	ASSY ACTUATOR LINKAGE		1
26	3333104	ELECTRAK 2 ACTUATOR-3.75 STROK		1
27	3333105	BUSHING-3/8 NYLON		4
28	3333106	TUBE-ACTUATOR SPACER		2
29	3333107	TUBE-ACTUATOR PIVOT		1
30	3333108	PIN-QUICK RELEASE 3/8" X .6		2
31	3333109	PIN-QUICK RELEASE 3/8" X 2.9		2
32	3333113	ASSY WATER FEED TUBE		1
33	3333124	WELD SQUEEGEE BLADE LH		1
34	3333131	WELD-SQUEEGEE BLADE RH		1
35	3333138	WELD-LEVER ARM		2



REF #	PART #	DESCRIPTION	REMARKS	QTY.
36	3333139	WELD ARM		2
37	3333140	HARNESS, DIODE ASSY		1
38	3333148	WIRE ASSY, BRUSH DECK CYLINDER		1
39	3333165	BLADE-SIDE SQUEEGEE 3/8" THK		2
40	3333166	STIFFNER-SQUEEGEE BLADE 3/16"		2
41	3333167	SPRING-EXTENSION SIDE SQUEEGEE		2
42	3333194	WIRE ASSY, BRUSH DECK CYLINDER		1
43	3333202	WELD-RETAINER RH		1
44	3333208	HOSE-3/8" X 33"		1
45	3333209	WELD-RETAINER LH		1
46	3400028	SCR-HEX,3/8-16X1.50 ZP		2
47	3400039	SCR-HEX,1/4-20X2.00 ZP		8
48	3400042	SCR-HEX,1/4-20X0.75 ZP		2
49	3400075	NUT-HEX JAM 3/8-24 ZP		2
50	3400079	NUT-HEX 3/8-16 ES ZP		4
51	3400081	NUT-HEX 1/4-20 ES ZP		8
52	3400086	WASHER-FLAT 1/2 STANDARD ZP		18
53	3400088	WASHER-FLAT 5/16 STANDARD ZP		6
54	3400089	WASHER-FLAT 1/4 STANDARD ZP		10
55	3400095	WASHER-FLAT #10 ZP		6
56	3400103	WASHER-LOCK 1/4 SPLIT ZP		8
57	3400172	NUT-HEX JAM #10-32 ES ZP		6
58	3400193	SCR-HSS 1/2 DIA. X .62 ZP		2
59	3400204	SCR-PAN,#10-32X0.62,PHL ZP		4
60	3400342	NUT-HEX 3/8-24 ES ZP		8
61	3400344	SCR-SET #10-32 X .25 ZP		8
62	3400392	NUT-FLANGE LOCK 3/8-16		2
63	3400420	NUT-HEX 5/16-24 ES		4
64	3400434	SCR-HEX,3/8-16X2.50 ZP		2
65	3402051	BLT-SHLDR 1/2 X 1-3/4 ZP		4
66	3402053	SCREW-HHCS 3/8-16 X 2.00		2
67	430051	RETURN SPRING		2
68	711350	NUT-NYLOC 10-32		4
69	711808	PIN-HAIRPIN COTTER #13		2
70	748048	MOTOR OUTLINE 1HP		2





100PAA02

Notes

